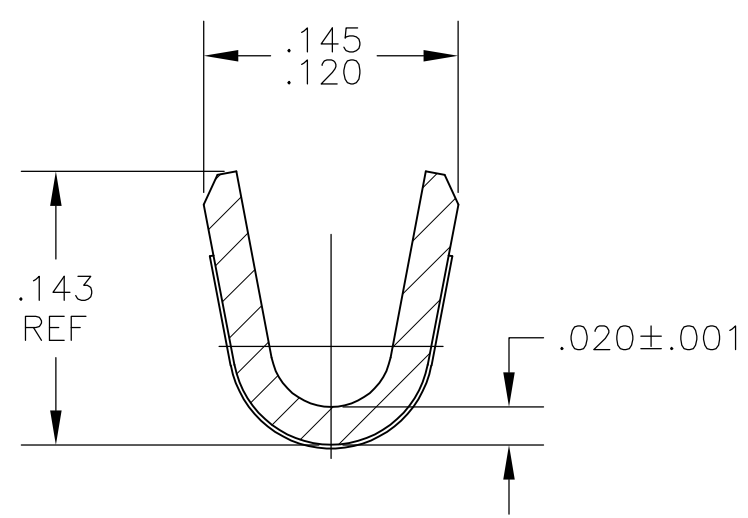
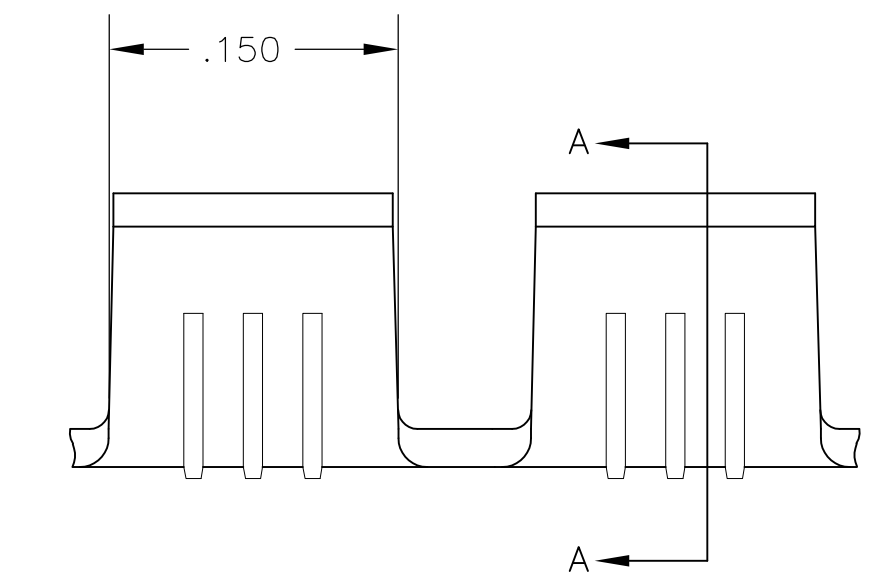
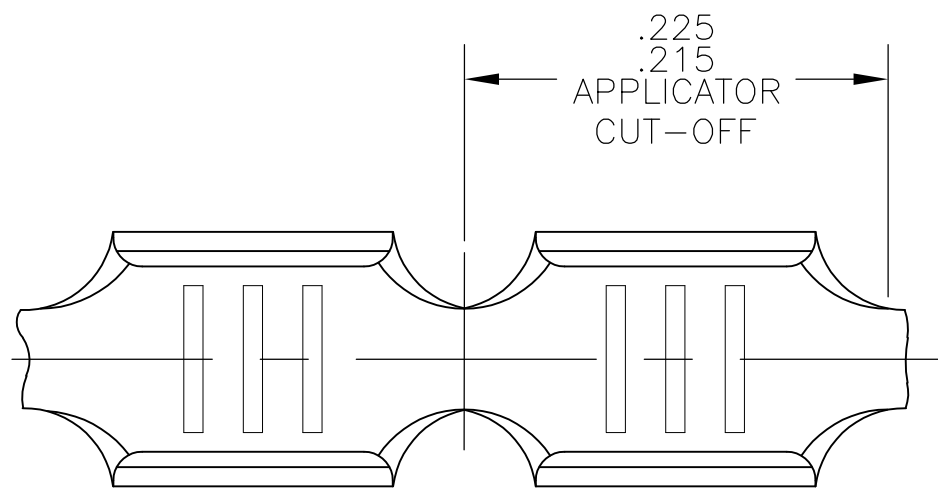


THIS DRAWING IS UNPUBLISHED. RELEASED FOR PUBLICATION
 © COPYRIGHT - BY TYCO ELECTRONICS CORPORATION. ALL RIGHTS RESERVED.

LOC	DIST	REVISIONS					
AF	50	P	LTR	DESCRIPTION	DATE	DWN	APVD
			J1	ECR-07-018635(REDRAWN IN AUTOCAD)	02JUL07	HMR	GP

- 1 CONTINUOUS STRIP ON REELS
- 2 WIRE RANGE: 1000 TO 3200 CMA



SECTION A-A

OBSOLETE	41974-1
	41974
	PART NO

THIS DRAWING IS A CONTROLLED DOCUMENT.		DWN	RAGHAVENDRA	02JUL07	Tyco Electronics Corporation Harrisburg, PA 17105-3608		
DIMENSIONS: INCHES		CHK	G.D.PORTA	02JUL07			
TOLERANCES UNLESS OTHERWISE SPECIFIED:		APVD	G.D.PORTA	02JUL07	NAME		
0 PLC ± - 1 PLC ± - 2 PLC ± - 3 PLC ± .010 4 PLC ± - ANGLES ± -		PRODUCT SPEC		SPLICE			
MATERIAL: BRASS		FINISH: NONE		APPLICATION SPEC		RESTRICTED TO	
		WEIGHT: -		SIZE	CAGE CODE	DRAWING NO	
		CUSTOMER DRAWING		A3	00779	G-41974	
		SCALE		10:1	SHEET		1 OF 1
		REV		J1			